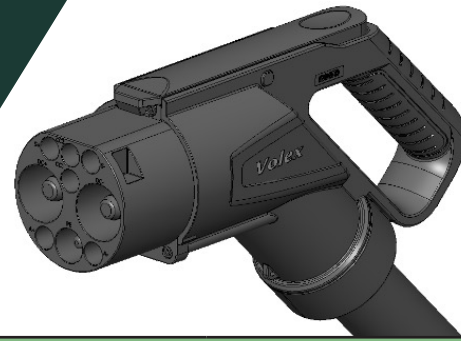
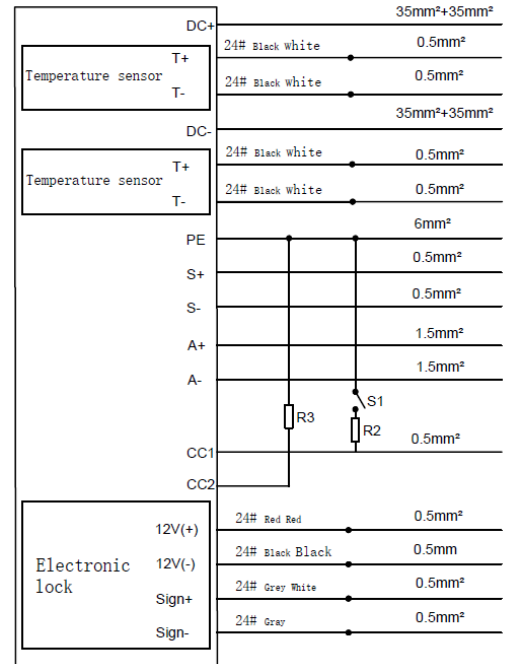
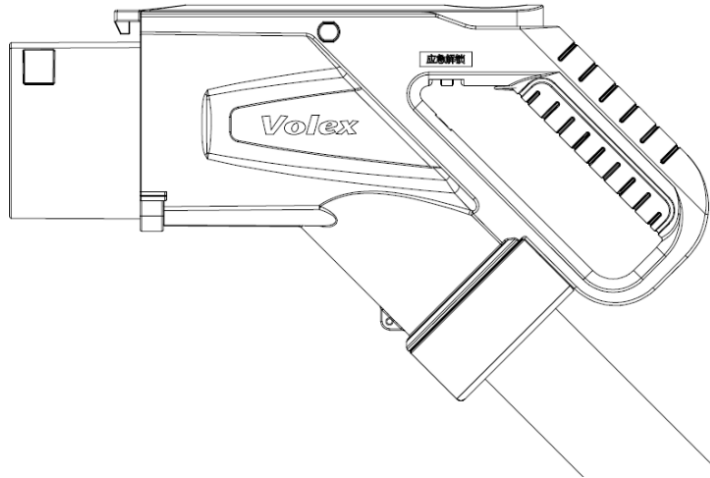
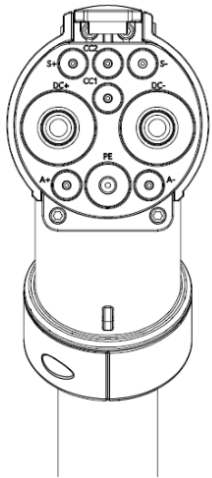


GB/T 125 / 250 / 300A DC Charger



PRODUCT DEFINITION			
Standards / Regulations	GB/T: GB/T 20234.1-2023 GB/T: GB/T 20234.3-2023		
Approval	CQC		
DIMENSIONS			
Width	70 mm		
Height	136 mm		
Depth	241 mm		
Cable Length	On Request		
AMBIENT CONDITIONS			
Ambient Temperature (Operation)	-30°C to +50°C		
Ambient Temperature (Storage / Transport)	-40°C to +80°C		
Max. Altitude	2,000 m (above sea level)		
Degree of Protection (Unmated)	IP67		
Degree of Protection (Mated)	IP55		
Degree of Protection (Protective Cap)	IP54		
ELECTRICAL PROPERTIES			
Rated Voltage (Power Contacts)	1,000V DC		
Rated Current (Power Contacts)	125A	250A	300A
Maximum Charging Power	125 kW	250 kW	300 kW
Number of Power Contacts	3 (DC+, DC-, PE)		
Rated Voltage (Signal Contacts)	30V DC		
Rated Current (Signal Contacts)	2A		
Number of Signal Contacts	4 (CC1, CC2, S+, S-)		
Rated Voltage (Low Voltage Auxiliary Power Supply Contacts)	30V DC		
Rated Current (Low Voltage Auxiliary Power Supply Contacts)	10A		
Number of Low Voltage (Auxiliary Power Supply Contacts)	2 (A+, A-)		
Note on the Connection Method	Ultrasonic Welding		
Resistor Coding (Between PE and CC1, CC2)	1,000Ω (CC1 and PE - Lever Not Operated) 1,000Ω (CC2 and PE)		
Temperature Sensor	2 x Pt1000		
Insulation Resistance	> 100 MΩ		
Dielectric Strength	3,000V AC		
Sensor Shutdown Temperature	Pt1000 Temperature up to 90°C		

GB/T 125 / 250 / 300A DC CHARGER MECHANICAL DRAWING



MECHANICAL PROPERTIES

Mating Cycles	> 10,000
Insertion Force	< 140 N
Withdrawal	< 140 N

MATERIAL		DESIGN	
Material Housing / Handle Area	Plastic	Housing / Handle Area Colour	Black
Material Mating Face	Plastic	Mating Face / Locking Lever Colour	Black
Material Protective Cap	Plastic	Protective Cap Colour	Black
Flammability Rating	V-0	Housing with Customer Logo	On Request
Material Contacts	Red Copper Cu-Alloy	Plating	Silver (DC+DC-PE) Nickel (Signal)

CABLE

AMPERAGE	CABLE STRUCTURE	CABLE O.D.
125A	2 x 35 mm ² + 1 x 6 mm ² + 2 x 1.5 mm ² + 2 x 0.5(P2) mm ² + 2 x 0.5 mm ² + 7 x 0.5 mm ²	25 mm (TPU)
250A / 300A	4 x 35 mm ² + 1 x 6 mm ² + 2 x 1.5 mm ² + 2 x 0.5(P2) mm ² + 2 x 0.5 mm ² + 7 x 0.5 mm ²	29 mm (TPU)

CABLE RESISTANCE AT 20°C

35 mm ²	6 mm ²	1.5 mm ²	0.5 mm ²
≤ 0.524 Ω/km	≤ 3.3 Ω/km	≤ 13.3 Ω/km	≤ 39 Ω/km

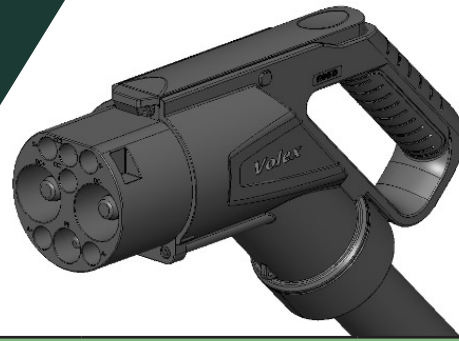
Cable Standard	GB/T 33594-2017
Outer Sheath Material	TPE / TPU
Outer Sheath Colour	Black

ENVIRONMENTAL PRODUCT COMPLIANCE

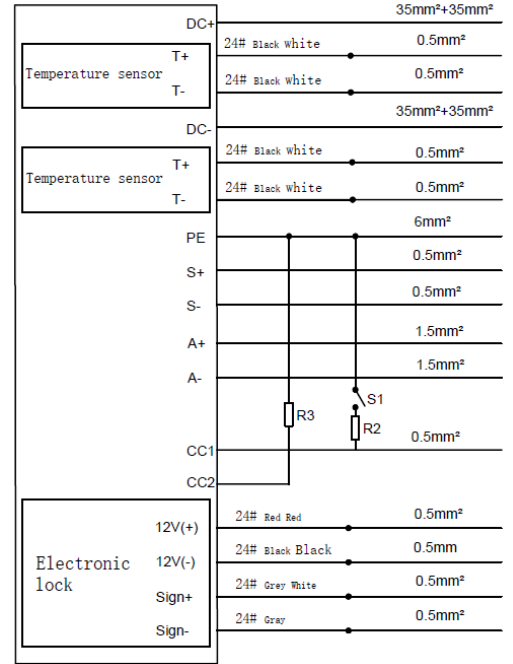
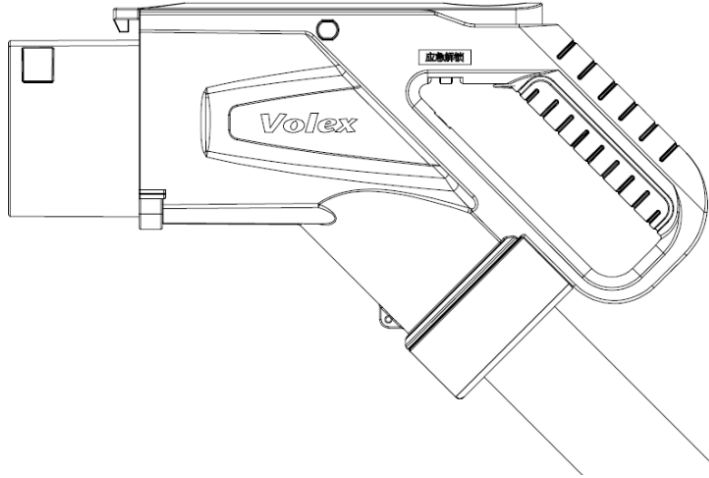
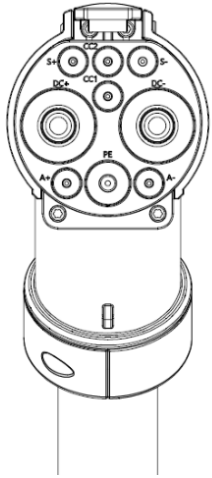
REACH SVHC	Compliant
China RoHS	Compliant
EU RoHS	Compliant

Contact us at sales@volex.com for assistance in finding the right solution for your needs.

GB/T 125 / 250 / 300A 直流充电枪



产品定义			
标准/法规	GB/T: GB/T 20234.1-2023 GB/T: GB/T 20234.3-2023		
认证	CQC		
充电连接器尺寸			
宽度	70 mm		
高度	136 mm		
长度	241 mm		
线缆长度	按需定制		
环境条件			
使用环境温度	-30°C to +50°C		
存储环境温度	-40°C to +80°C		
海拔高度	2,000 m (above sea level)		
防护等级 (腔体)	IP67		
防护等级 (插合)	IP55		
防护等级 (带保护盖)	IP54		
电气特性			
额定电压 (电源触点)	1,000V DC		
额定电流 (电源触点)	125A	250A	300A
最大充电功率	125 kW	250 kW	300 kW
电源触点数	3 (DC+, DC-, PE)		
额定电压 (信号触点)	30V DC		
额定电流 (信号触点)	2A		
信号触点数	4 (CC1, CC2, S+, S-)		
额定电压 (低压辅助电源触点)	30V DC		
额定电流 (低压辅助电源触点)	10A		
低压辅助电源触点数	2 (A+, A-)		
连接方式	超声波焊接		
电阻器编码 (PE与CC1、CC2之间)	1,000Ω (CC1 与 PE - 按键未触发) 1000Ω (CC2 与 PE)		
温度传感器	2 x Pt1000		
绝缘电阻	> 100 MΩ		
介电强度	3,000V AC		
温度关闭传感器	Pt1000 temperature up to 90°C		



机械性能

插拔次数	> 10,000
插入力	< 140 N
拔出力	< 140 N

材料		设计	
外壳/手柄材料	塑料	外壳/手柄颜色	黑色
对配面材料	塑料	对配面/锁扣颜色	黑色
保护盖材料	塑料(如需)	保护盖颜色	黑色
阻燃等级	V-0	外壳客户标识	按需定制
触点材料	铜合金	镀层	镀银 (DC+DC-PE) 镀镍 (信号、低压辅助)

线缆		
电流	线缆规格	线缆外径
125A	2 x 35 mm ² + 1 x 6 mm ² + 2 x 1.5 mm ² + 2 x 0.5(P2) mm ² + 2 x 0.5 mm ² + 7 x 0.5 mm ²	25 mm (TPU)
250A / 300A	4 x 35 mm ² + 1 x 6 mm ² + 2 x 1.5 mm ² + 2 x 0.5(P2) mm ² + 2 x 0.5 mm ² + 7 x 0.5 mm ²	29 mm (TPU)

线缆电阻 20°C			
35 mm ²	6 mm ²	1.5 mm ²	0.5 mm ²
≤ 0.524 Ω/km	≤ 3.3 Ω/km	≤ 13.3 Ω/km	≤ 39 Ω/km

线缆标准	GB/T 33594-2017
外护套材料	TPE / TPU
外护套颜色	按需定制

产品环境合规	
REACH SVHC	合规
中国 RoHS	合规
欧洲 RoHS	合规

欢迎联系我们 sales@voilex.com
寻求帮助找到适合您需求的解决方案