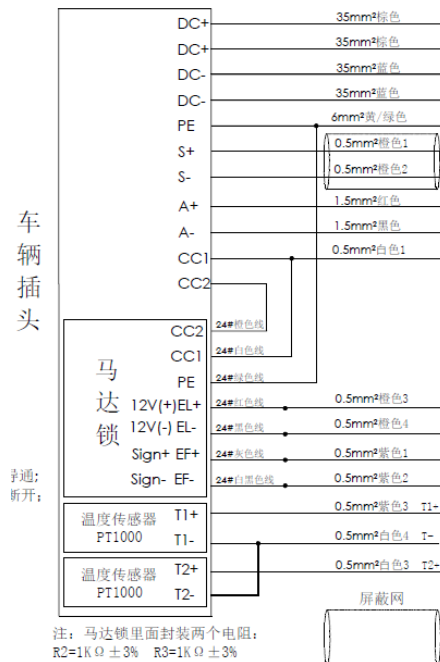
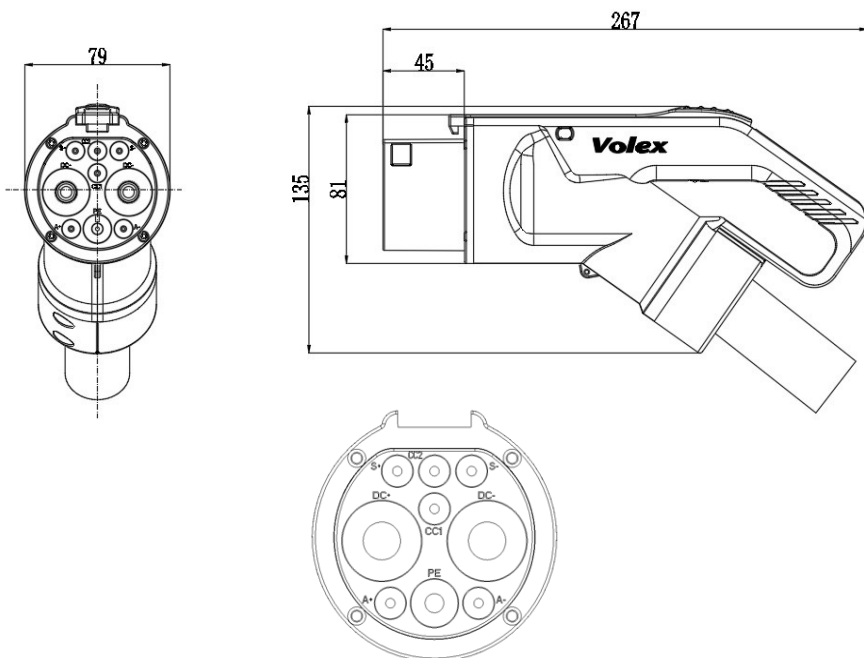


GB/T 400A DC Charger



PRODUCT DEFINITION	
Standards / Regulations	GB/T: GB/T 20234.1-2023 GB/T: GB/T 20234.3-2023
Approval	CQC
DIMENSIONS	
Width	70 mm
Height	136 mm
Depth	241 mm
Cable Length	On Request
AMBIENT CONDITIONS	
Ambient Temperature (Operation)	-30°C to +50°C
Ambient Temperature (Storage / Transport)	-40°C to +80°C
Max. Altitude	2,000 m (above sea level)
Degree of Protection (Unmated)	IP67
Degree of Protection (Mated)	IP55
Degree of Protection (Protective Cap)	IP54
ELECTRICAL PROPERTIES	
Rated Voltage (Power Contacts)	1,000V DC
Rated Current (Power Contacts)	400A
Maximum Charging Power	400 kW
Number of Power Contacts	3 (DC+, DC-, PE)
Rated Voltage (Signal Contacts)	30V DC
Rated Current (Signal Contacts)	2A
Number of Signal Contacts	4 (CC1, CC2, S+, S-)
Rated Voltage (Low Voltage Auxiliary Power Supply Contacts)	30V DC
Rated Current (Low Voltage Auxiliary Power Supply Contacts)	10A
Number of Low Voltage (Auxiliary Power Supply Contacts)	2 (A+, A-)
Note on the Connection Method	Ultrasonic Welding
Resistor Coding (Between PE and CC1, CC2)	1,000Ω (CC1 and PE - Lever Not Operated) 1,000Ω (CC2 and PE)
Temperature Sensor	2 x Pt1000
Insulation Resistance	> 100 MΩ
Dielectric Strength	3,000V AC

400A DC CHARGER MECHANICAL DRAWING



MECHANICAL PROPERTIES

Mating Cycles	> 10,000
Insertion Force	< 140 N
Withdrawal	< 140 N

MATERIAL

DESIGN

Material Housing / Handle Area	Plastic	Housing / Handle Area Colour	Black
Material Mating Face	Plastic	Mating Face / Locking Lever Colour	Black
Material Protective Cap	Plastic	Protective Cap Colour	Black
Flammability Rating	V-0	Housing with Customer Logo	On Request
Material Contacts	Red Copper Cu-Alloy	Plating	Silver (DC+DC-PE) Nickel (Signal)

CABLE

AMPERAGE	CABLE STRUCTURE	CABLE O.D.
400A	$4 \times 35 \text{ mm}^2 + 1 \times 6 \text{ mm}^2 + 2 \times 1.5 \text{ mm}^2 + 2 \times 0.5(\text{P}2) \text{ mm}^2 + 2 \times 0.5 \text{ mm}^2 + 7 \times 0.5 \text{ mm}^2$	34.4 mm (TPU)

CABLE RESISTANCE AT 20°C

50 mm²	6 mm²	1.5 mm²	0.5 mm²
$\leq 0.386 \Omega/\text{km}$	$\leq 3.3 \Omega/\text{km}$	$\leq 13.3 \Omega/\text{km}$	$\leq 39 \Omega/\text{km}$

Cable Standard	GB/T 33594-2017
Outer Sheath Material	TPE / TPU
Outer Sheath Colour	Black

ENVIRONMENTAL PRODUCT COMPLIANCE

REACH SVHC	Compliant
China RoHS	Compliant
EU RoHS	Compliant

Contact us at sales@volex.com
for assistance in finding the right solution for your needs.

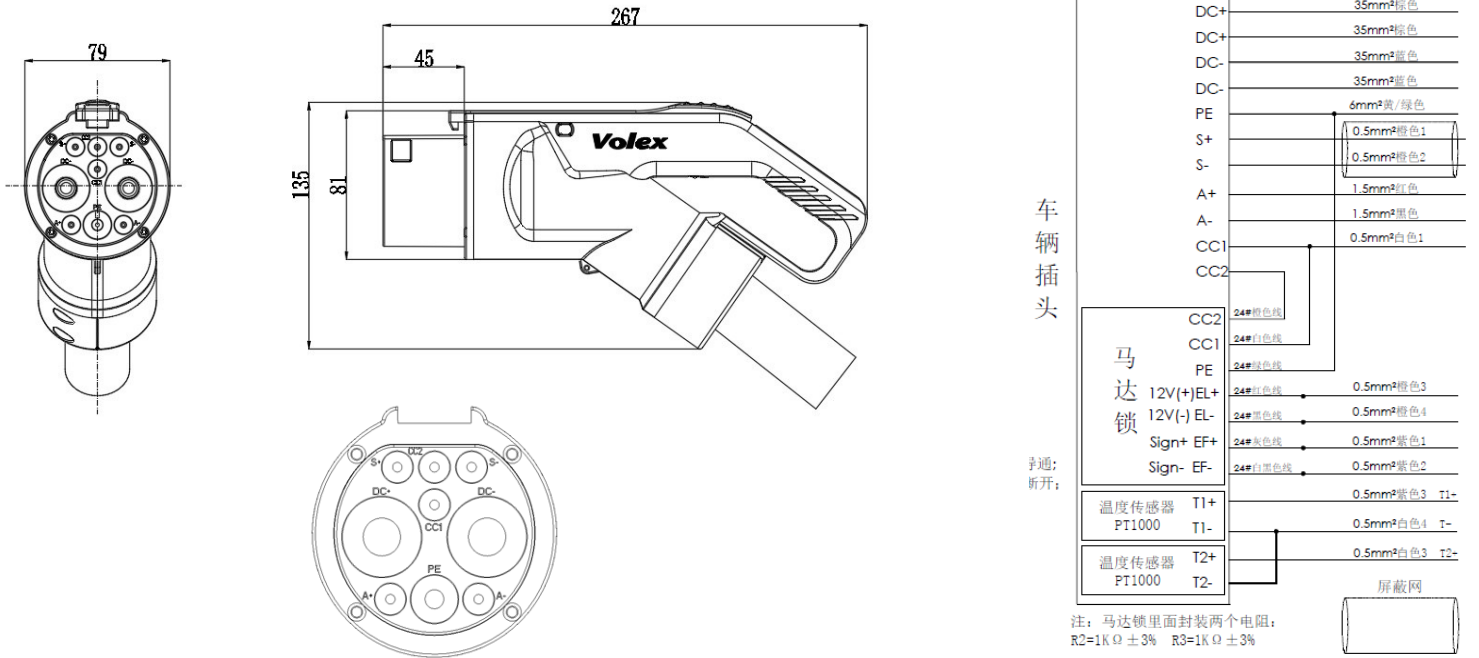
GB/T 400A

直流充电枪



产品定义	
充电标准	GB/T: GB/T 20234.1-2023 GB/T: GB/T 20234.3-2023
标准/法规	CQC
充电连接器尺寸	
宽度	70 mm
高度	136 mm
长度	241 mm
线缆长度	按需定制
环境条件	
使用环境温度	-30°C to +50°C
存储环境温度	-40°C to +80°C
海拔高度	2,000 m (above sea level)
防护等级 (腔体)	IP67
防护等级 (插合)	IP55
防护等级 (带保护盖)	IP54
电气特性	
额定电压 (电源触点)	1,000V DC
额定电流 (电源触点)	400A
最大充电功率	400 kW
电源触点数	3 (DC+, DC-, PE)
额定电压 (信号触点)	30V DC
额定电流 (信号触点)	2A
信号触点数	4 (CC1, CC2, S+, S-)
额定电压 (低压辅助电源触点)	30V DC
额定电流 (低压辅助电源触点)	10A
低压辅助电源触点数	2 (A+, A-)
连接方式	超声波焊接
电阻器编码 (PE 与 CC1,CC2之间)	1,000Ω (CC1 与 PE) (按键未触发) 1,000Ω (CC2 与 PE)
温度传感器	2 x Pt1000
绝缘电阻	> 100 MΩ
耐电压	3,000V AC

400A 直流充电枪电缆机械图纸



机械性能

插拔次数	> 10,000
插入力	< 140 N
拔出力	< 140 N

材料

材料	设计
外壳/手柄材料	塑料
外壳/手柄颜色	黑色
对配面材料	塑料
对配面/锁扣颜色	黑色
保护盖材料	硅橡胶
保护盖颜色	黑色
阻燃等级	V-0
H外壳客户标识	按需定制
触点材料	铜合金
镀层	镀银 (DC+DC-PE) 镀镍 (信号、低压辅助)

线缆

电流	线缆规格	线缆外径
400A	4 x 35 mm ² + 1 x 6 mm ² + 2 x 1.5 mm ² + 2 x 0.5(P2) mm ² + 2 x 0.5 mm ² + 7 x 0.5 mm ²	34.4 mm (TPU)

线缆电阻 20°C

50 mm ²	6 mm ²	1.5 mm ²	0.5 mm ²
≤ 0.386 Ω/km	≤ 3.3 Ω/km	≤ 13.3 Ω/km	≤ 39 Ω/km

线缆标准	GB/T 33594-2017
------	-----------------

外护套材料	TPE / TPU
-------	-----------

外护套颜色	按需定制
-------	------

产品环境合规

REACH SVHC	合规
中国 RoHS	合规
欧洲 RoHS	合规

欢迎联系我们 sales@volex.com
寻求帮助找到适合您需求的解决方案